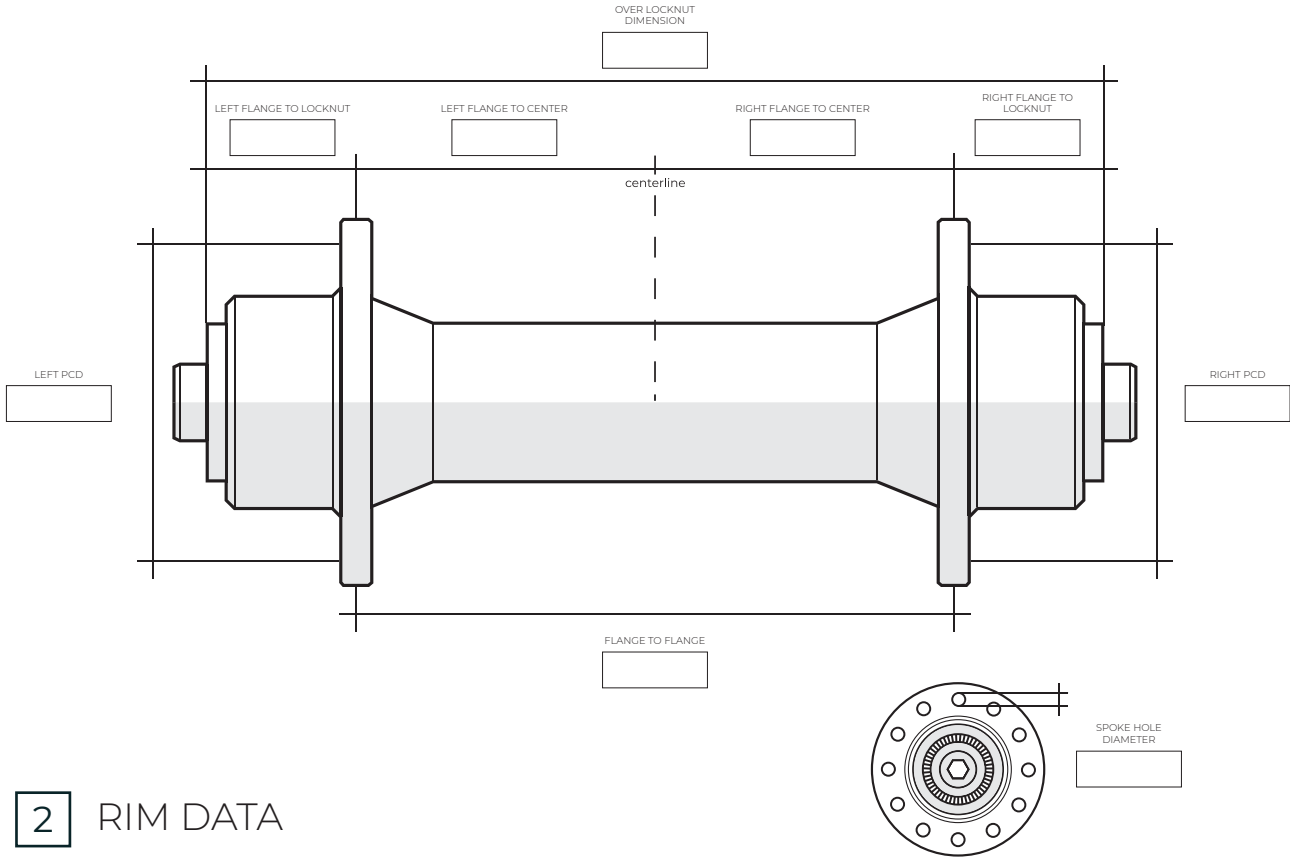


SPOKE LENGTH WORKSHEET

Hub type: Classic Hub side: Front

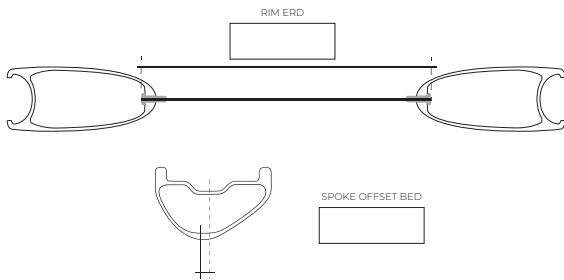
1 HUB DATA

MODEL: _____



2 RIM DATA

MODEL: _____



3 LACING

SPOKE CHOICE: _____

LACING PATTERN: _____

SPOKE COUNT: _____

4 SPOKE LENGTH

LEFT SIDE: _____

RIGHT SIDE: _____

SELECTED

LEFT SIDE

RIGHT SIDE

CLIENT DETAILS