

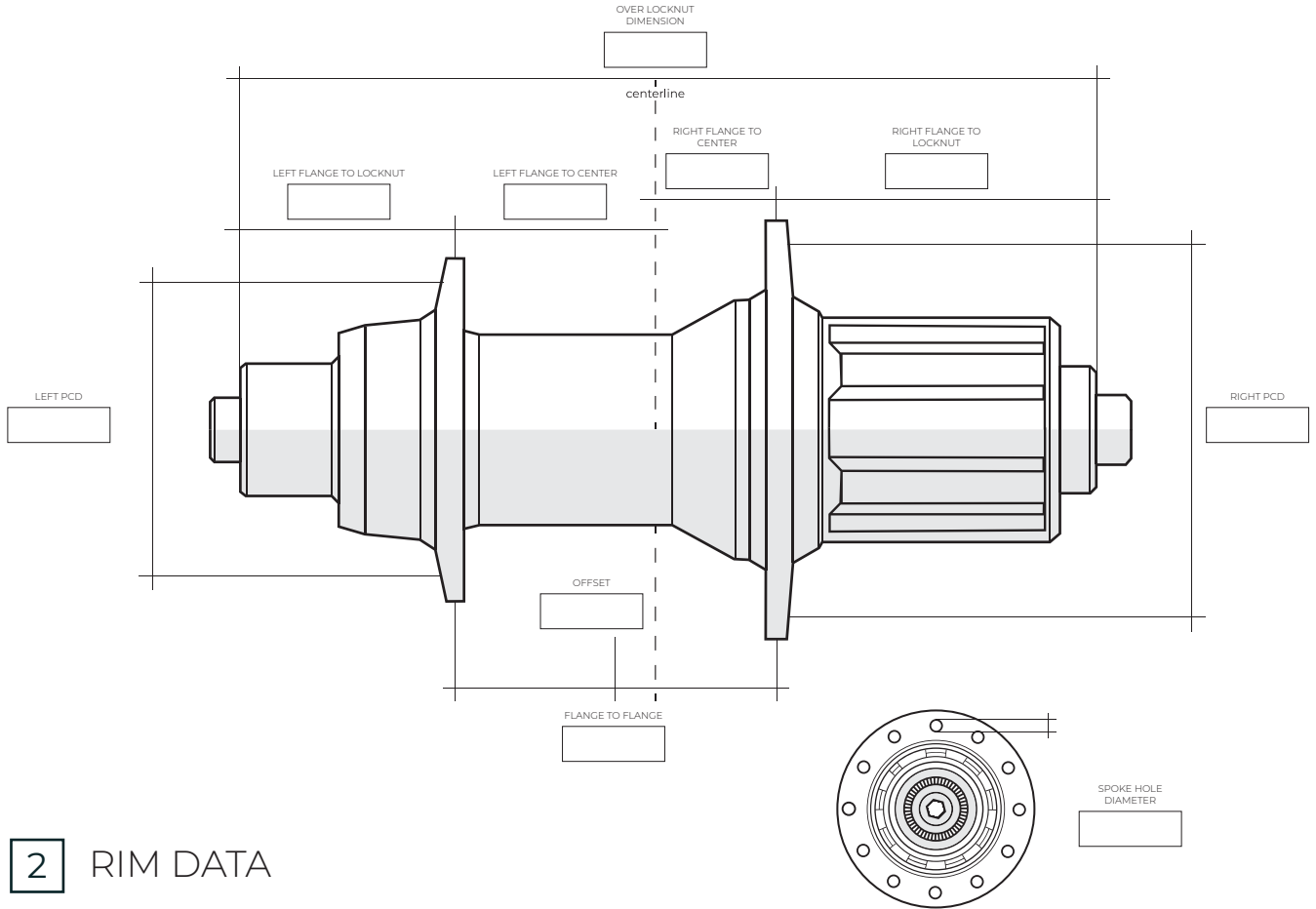
Date: \_\_\_\_\_

# SPOKE LENGTH WORKSHEET

Hub type: Classic    Hub side: Rear

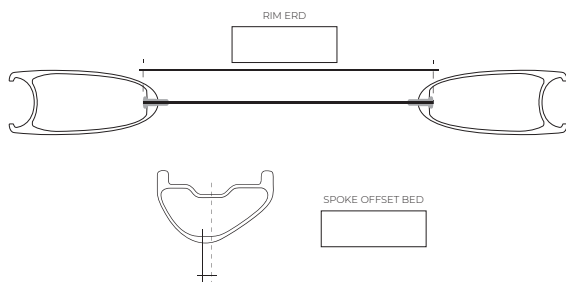
## 1 HUB DATA

MODEL: \_\_\_\_\_



## 2 RIM DATA

MODEL: \_\_\_\_\_



## 3 LACING

SPOKE CHOICE: \_\_\_\_\_

LACING PATTERN: \_\_\_\_\_

SPOKE COUNT: \_\_\_\_\_

NIPPLE CHOICE: \_\_\_\_\_

## 4 SPOKE LENGTH

LEFT SIDE: \_\_\_\_\_

RIGHT SIDE: \_\_\_\_\_

SELECTED

LEFT SIDE

RIGHT SIDE

CUSTOMER